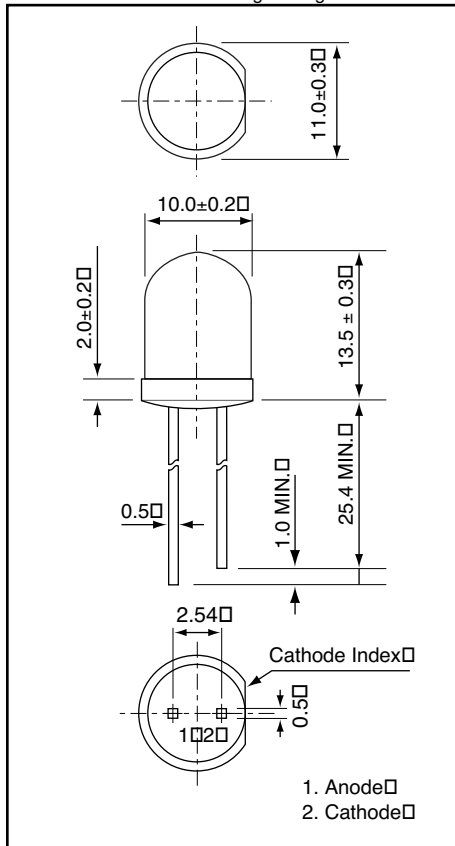




Weight: 1.0g Unit: mm



AND190HOP

InGaAlP High Brightness Orange Light Emission

T-3 Package (10 mm)

Features

- New emission material (InGaAlP) orange LED
- Peak wavelength ($\lambda_p = 620$ nm) high bright emission
- All plastic mold type, clear colorless lens
- Low drive current, (forward current = 1 to 20 mA)
- Excellent On-Off contrast ratio
- Fast response time, capable of pulse operation
- High power luminous intensity
- Suitable for Outdoor Message Signboards, Automotive use.
- **RoHS Compliant**

Maximum Ratings ($T_a = 25^\circ\text{C}$)

Characteristics	Symbol	Rating	Unit
Forward Current	I_F	50	mA
Reverse Voltage	V_R	5	V
Power Dissipation	P_D	125	mW
Operating Temperature Range	T_{Opr}	-40 to 85	$^\circ\text{C}$

Maximum Ratings ($T_a = 25^\circ\text{C}$)

Characteristics	Symbol	Rating	Unit
Storage Temperature Range	T_{Stg}	-40 to 100	$^\circ\text{C}$

Electro-Optical Characteristics ($T_a = 25^\circ\text{C}$)

Characteristics	Symbol	Test Condition	Minimum	Typical	Maximum	Unit
Forward Voltage	V_F	$I_F = 20$ mA	–	2.0	2.4	V
Reverse Current	I_R	$V_R = 5$ V	–	–	10	μA
Luminous Intensity	I_V	$I_F = 20$ mA	4,000	6,000	–	mcd
Peak Emission Wavelength	λ_p	$I_F = 20$ mA	–	620	–	nm
Spectral Line Half Width	$\Delta\lambda$	$I_F = 20$ mA	–	18	–	nm
Dominant Wavelength	λ_d	$I_F = 20$ mA	–	615	–	nm
Full Viewing Angle	θ	$I_V = 1/2$ Peak	–	6	–	degree

Precaution

Please be careful of the following:

1. Soldering temperature: 260°C max

Soldering time: 5 sec. max

Product specifications contained herein may be changed without prior notice. It is therefore advisable to contact Purdy Electronics before proceeding with the design of equipment incorporating this product.

Soldering portion of lead: up to 1.6 mm from the body of the device